

KHC

- 6/8/10/12/15/18 & 21" ●
- JAPANESE COMPATIBLE 2,3 & 4 JAW ●
- EXCEPTIONAL VALUE ●

THE BRAND NEW STANDARD POWER CHUCK BY ROCKSTEADY

ROCKSTEADY



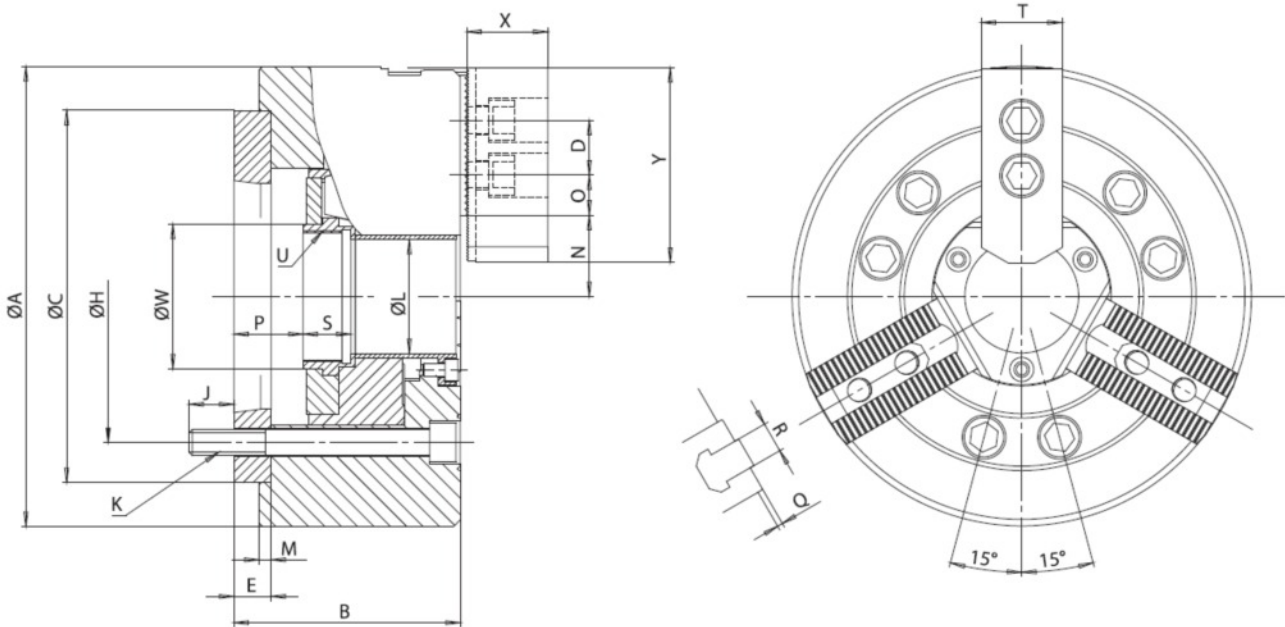
ROCKSTEADY

GROUP LIMITED
www.rocksteadygroup.co.uk

KHC

WEDGE TYPE OPEN CENTRE POWER CHUCK

STANDARD ISO - A TYPE MOUNTING VIA ADAPTOR FLANGE
 JAW INTERFACE 1.5 X 60 SERRATION - 3.0 X 60 21 & 24"
 ALL COMPONENTS MANUFACTURED FROM ALLOY STEEL
 INCLUDING SOFT TOP JAWS AND ACCESSORIES
 2 & 4 JAW VERSIONS ALSO AVAILABLE



| CHUCK SIZE | A | B | C | D | E | H | J | K | L | M | N | O | O | P | P | Q | R | S | T | U | W | X | Y |
|------------|-----|-----|-----|----|----|--------|------|-------|-------|---|-------|-------|-------|------|------|---|----|------|-----|----------|-----|----|-----|
| | | | H8 | | | | | | | | MIN | MAX | MIN | MAX | MIN | | | | MAX | | | | |
| KHC-3-205 | 135 | 71 | 110 | 14 | 15 | 82.55 | 15.5 | 3-M10 | 33 | 4 | 26.5 | 19.75 | 7.75 | 16 | 6 | 2 | 10 | 20 | 25 | 40 x 1.5 | 45 | 31 | 54 |
| KHC-3-206 | 169 | 91 | 140 | 20 | 15 | 104.78 | 16 | 6-M10 | 45 | 5 | 32 | 22.75 | 9.25 | 26 | 14 | 2 | 12 | 19 | 31 | 56 x 2 | 60 | 37 | 73 |
| KHC-3-208 | 210 | 103 | 170 | 25 | 17 | 133.35 | 18 | 6-M12 | 52 | 5 | 38.7 | 29.75 | 14.75 | 31.5 | 15.5 | 2 | 14 | 20.5 | 35 | 60 x 2 | 66 | 38 | 95 |
| KHC-3-210 | 254 | 113 | 220 | 30 | 18 | 171.45 | 20 | 6-M16 | 75 | 5 | 51 | 33.75 | 14.25 | 27 | 8 | 2 | 16 | 25 | 40 | 85 x 2 | 94 | 43 | 110 |
| KHC-3-212 | 305 | 122 | 220 | 30 | 18 | 171.45 | 23 | 6-M16 | 91 | 6 | 61.3 | 45.25 | 15.75 | 26 | 3 | 2 | 21 | 28 | 50 | 100 x 2 | 106 | 51 | 130 |
| KHC-3-215 | 381 | 149 | 300 | 43 | 22 | 235 | 28 | 6-M20 | 117.5 | 6 | 82 | 45.25 | 16.75 | 29 | 6 | 5 | 22 | 43 | 62 | 130 x 2 | 139 | 66 | 165 |
| KHC-3-218 | 450 | 149 | 300 | 43 | 22 | 235 | 28 | 6-M20 | 117.5 | 6 | 82 | 79.75 | 16.75 | 29 | 6 | 5 | 22 | 43 | 62 | 130 x 2 | 139 | 66 | 165 |
| KHC-3-221 | 530 | 155 | 380 | 60 | 27 | 330.2 | 33 | 6-M24 | 180 | 6 | 112.5 | 69 | 23 | 38 | 15 | 5 | 25 | 38 | 65 | 190 x 3 | 206 | 73 | 180 |
| KHC-3-224 | 610 | 166 | 520 | 60 | 25 | 463.6 | 33 | 6-M24 | 205 | 6 | 139.9 | 87.5 | 24.5 | 41 | 15 | 5 | 25 | 38 | 65 | 215 x 3 | 230 | 73 | 180 |

| CHUCK SIZE & CODE | SIZE | JAWS | DIA | MOUNT | BORE | JAW STROKE ON DIA | ACTUATOR STROKE | GRIPPING DIAMETER | | GRIPPING FORCE | ACTUATOR FORCE | SPEED MAX | WEIGHT |
|-------------------|------|------|-----|-------|-------|-------------------|-----------------|-------------------|--------|----------------|----------------|-----------|--------|
| | INCH | NO | mm | ISO | Mm | mm | mm | MAX mm | MIN mm | KN | KN | RPM | KG |
| KHC-3-205A4 | 5" | 3 | 139 | A2-4 | 33 | 5.4 | 10 | 135 | 6 | 36 | 17.5 | 7000 | 6.8 |
| KHC-3-206A5 | 6" | 3 | 169 | A2-5 | 45 | 5.5 | 12 | 169 | 15 | 57.1 | 22 | 6000 | 13.5 |
| KHC-3-208A6 | 8" | 3 | 210 | A2-6 | 52 | 7.4 | 16 | 210 | 20 | 89 | 34.9 | 5000 | 23 |
| KHC-3-210A8 | 10" | 3 | 254 | A2-8 | 75 | 8.8 | 19 | 254 | 25 | 111.1 | 43.1 | 4200 | 36 |
| KHC-3-212A8 | 12" | 3 | 305 | A2-8 | 91 | 10.6 | 23 | 305 | 30 | 147 | 57.1 | 3300 | 56.5 |
| KHC-3-215A11 | 15" | 3 | 381 | A2-11 | 117.5 | 10.6 | 23 | 381 | 50 | 180 | 71 | 2500 | 111 |
| KHC-3-218A11 | 18" | 3 | 450 | A2-11 | 117.5 | 10.6 | 23 | 450 | 60 | 180 | 71 | 2000 | 164 |
| KHC-3-221A15 | 21" | 3 | 510 | A2-15 | 180 | 10.6 | 23 | 510 | 120 | 234.1 | 90.2 | 1800 | 190 |
| KHC-3-224A20 | 24" | 3 | 610 | A2-20 | 205 | 12 | 26 | 610 | 150 | 234.1 | 90.2 | 1400 | 270 |

ROCKSTEADY GROUP LIMITED - ATLAS IRON WORKS - ATLAS MILL ROAD
 BRIGHOUSE HD6 2HL - WEST YORKSHIRE - UNITED KINGDOM
 +44 (0)1484 500707 www.rocksteadygroup.co.uk

