

FORKARDT[®]

FORKARDT.COM

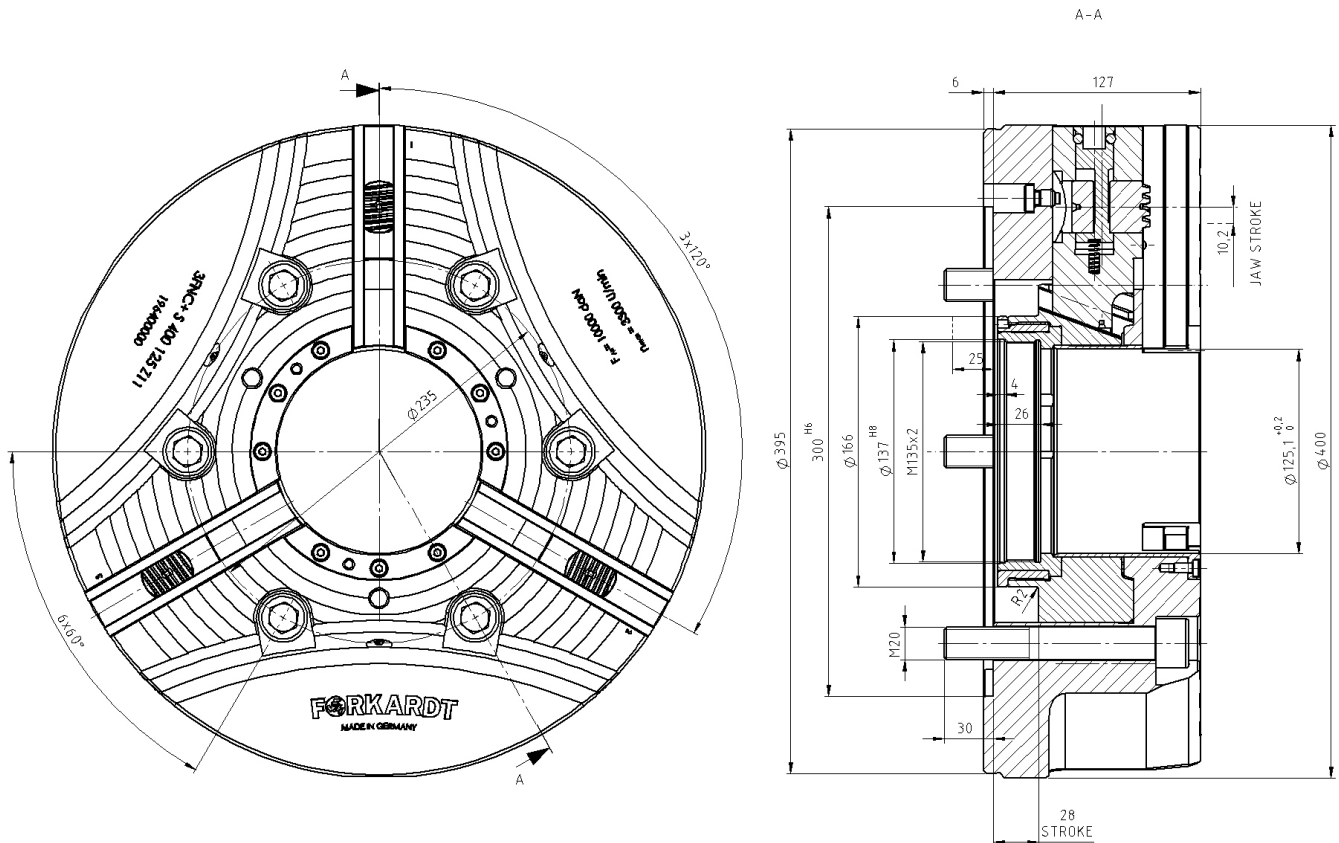


3FNC+S 400-125

POWER CHUCK WITH QUICK CHANGE JAW SYSTEM

FORKARDT® | 3FNC+S 400-125

POWER CHUCK WITH QUICK CHANGE JAW SYSTEM



PERFORMANCE DATA

Max. Speed	rpm.	3.500
Max. Clamping force	daN	24.000
Max. Actuating force	daN	12.000
Weight	Kg	72,9
Jaw stroke	mm	10, 2
Serration	Angled serration	

FORKARDT® | **3FNC+S 400-125**

POWER CHUCK WITH QUICK CHANGE JAW SYSTEM

CYL . MOUNTING DIN 6350

SPINDLE SIZE DIN55026	WITHOUT BASE AND TOP TOOLING	INCL. ONE PIECE STEP JAW (FSTB)	INCL. BASE & HARD TOP JAW (FGB + FHB)
Z 300	DI96400000	DI96400979	DI96400978

MOUNTING SCREW	6 X M20
-----------------------	----------------

SHORT TAPER DIN 55026

To build on a spindle according to DIN 55026 you need an additional flange with the required cone size.



SPINDLE SIZE DIN55026	ITEM NUMBER
K8	DI96400K08
K11	DI96400K11

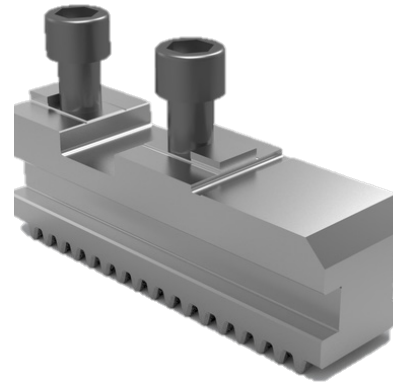
FORKARDT® | **3FNC+S 400-125**

POWER CHUCK WITH QUICK CHANGE JAW SYSTEM



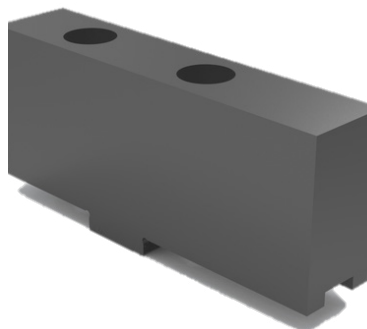
WRENCH FOR JAW CHANGE

D196315010



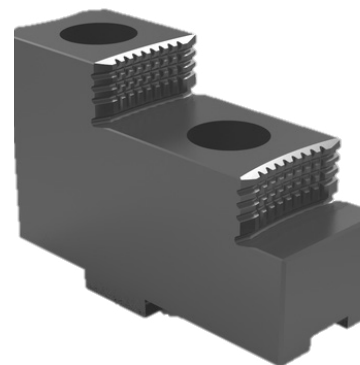
BASE JAW FGB315

D180596000



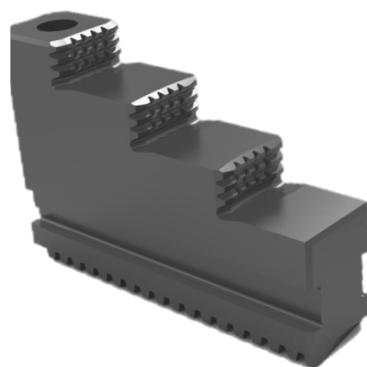
SOFT TOP JAW FWB315

D1070033425



HARD TOP JAW FHB315

D1070033524



ONE PIECE STEPED JAW FSTB315

D1070033533

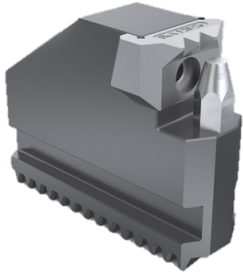


SOFT MONOBLOK JAW FMB315

D1070033034

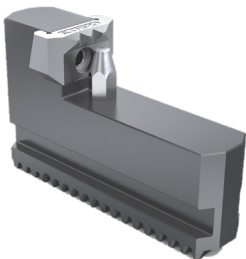
FORKARDT® | 3FNC+S 400-125

POWER CHUCK WITH QUICK CHANGE JAW SYSTEM



GRIPPER JAW OD-CLAMPING KBKTNC

Clamping Range	Item Number
Ø 69-224	D161835000
Ø 119-255	D45483000
Ø 222-379	D45484000
Ø 298-402	D45485000



GRIPPER JAW ID-CLAMPING KBKTNC

Clamping Range	Item Number
Ø 171-328	D45486000
Ø 295-452	D45487000



GREASE (CARTRIDGE 400 GR) PF26

D410140026

GREASE (CAN 1 KG) PF26

D410140126



HYDRAULIC GREASE GUN

D410140012I

GRIPPING FORCE METER (Ø 63-293) SKM1200

D300229000

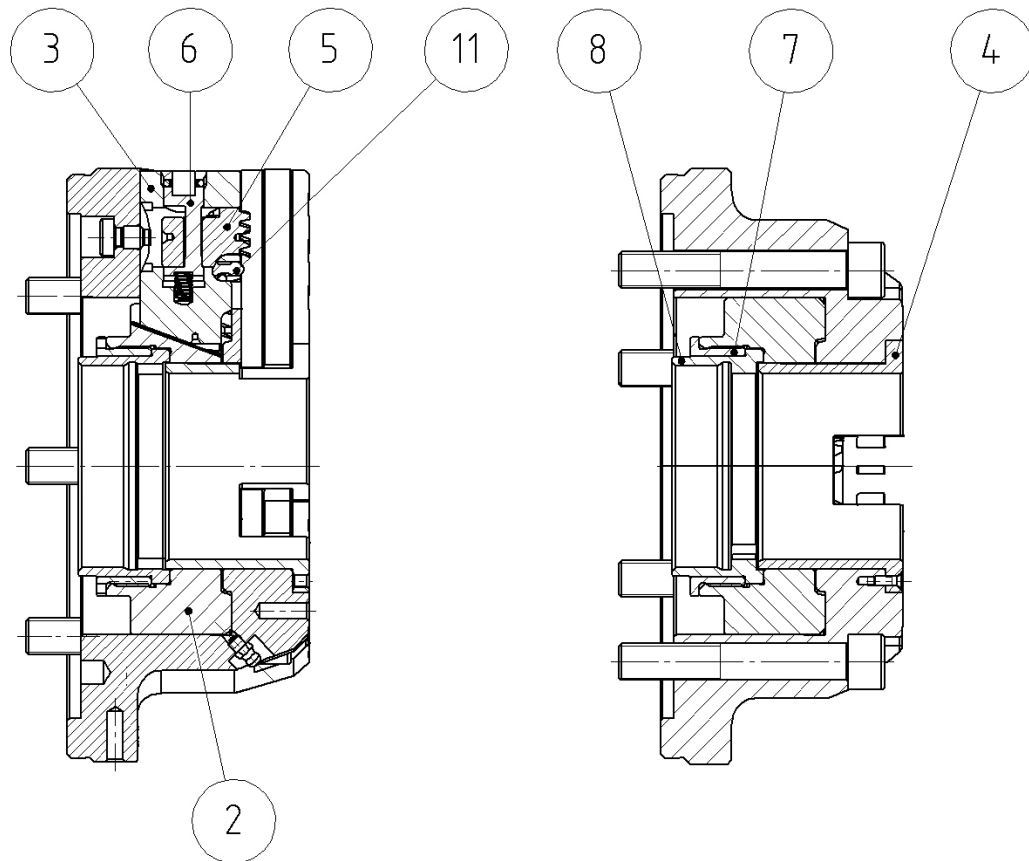


THRUST BOLTS FOR INCREASING THE GRIPPING RANGE

D300229003

FORKARDT® | 3FNC+S 400-125

POWER CHUCK WITH QUICK CHANGE JAW SYSTEM



NUMBER	LABEL	ITEM NUMBER
2	PISTON	DI96400002
3	TRANSMISSION JAW	DI96400003
4	PROTECTIVE SLEEVE	DI96400004
5	ENGAGING PLUNGER	DI96315005
6	ECCENTRIC LOCKING PIN	DI96400006
7	DRAW TUBE CONNECTOR COVER	DI96400007
8	DRAW TUBE CONNECTOR	DI96400008
11	NOTCH	DI96260011
3, 5, 6, 11 *	TRANSMISSION JAW COMPLETE	DI96400400

* incl. Spring set